

FAG

3204-BD-XL-TVH-C3

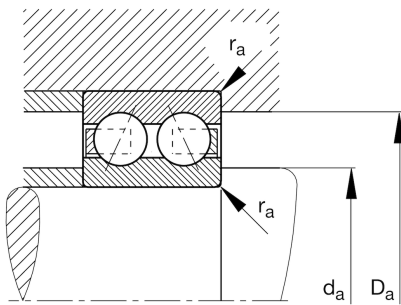
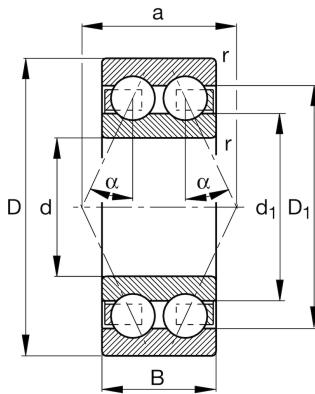
Angular contact ball bearing

Schaeffler ID:
0615192600030

Angular contact ball bearing 32..-BD-XL-TVH, double row, X-life, plastic cage

X-life

Technical information



Main Dimensions & Performance Data

d	20 mm	Bore diameter
D	47 mm	Outside diameter
B	20.6 mm	Width
C_r	20,600 N	Basic dynamic load rating, radial
C_{0r}	12,900 N	Basic static load rating, radial
C_{ur}	900 N	Fatigue load limit, radial
n_G	16,100 1/min	Limiting speed
n_{gr}	14,700 1/min	Reference speed
	0.149 kg	Weight

Mounting dimensions

$d_{a \min}$	25.6 mm	Minimum diameter shaft shoulder
$D_{a \max}$	41.4 mm	Maximum diameter of housing shoulder
$r_{a \max}$	1 mm	Maximum fillet radius

Dimensions

r_{\min}	1 mm	Minimum chamfer dimension
D_1	40.1 mm	Shoulder diameter outer ring
d_1	30.8 mm	Shoulder diameter inner ring
a	27.9 mm	Distance between the apexes of the pressure cones
α	30 °	Contact angle

Temperature range

T_{\min}	-30 °C	Operating temperature min.
T_{\max}	120 °C	Operating temperature max.